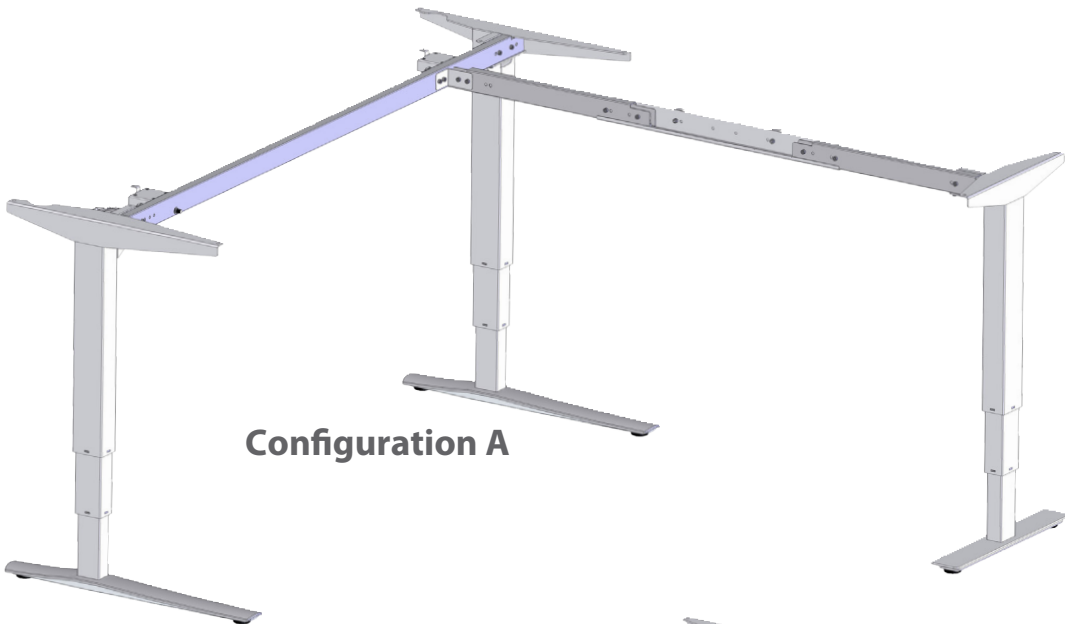




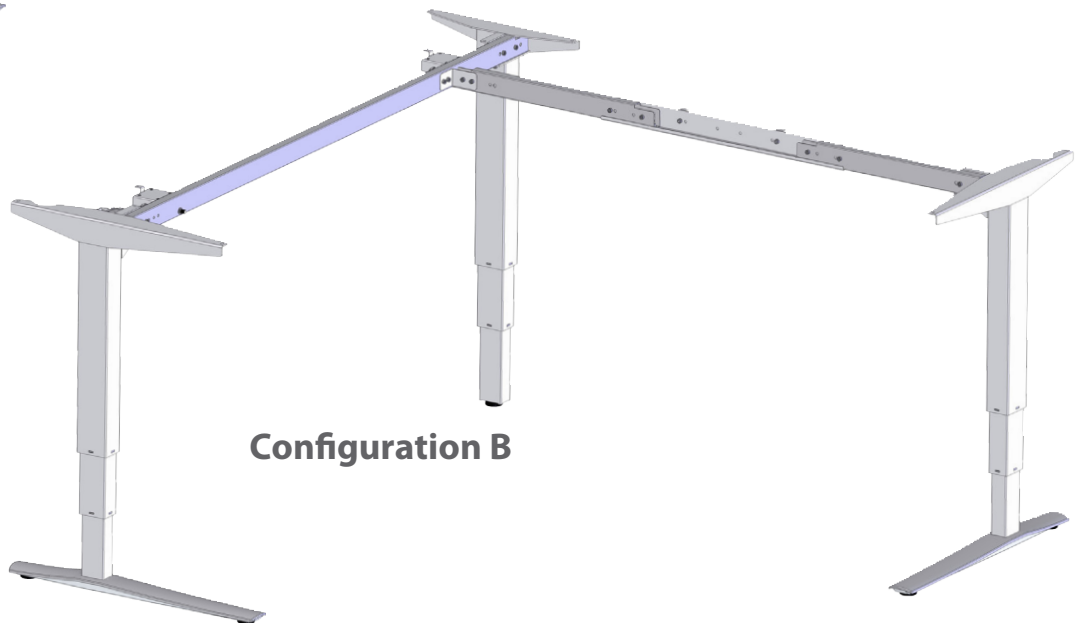
EN  
Page 2

Assembly instruction

**SQ140130**



**Configuration A**



**Configuration B**

**BEFORE YOU START PLEASE READ THIS PAGE:**

This instruction covers two configurations, please select **A** or **B** as described below and then continue to the appropriate pages.

Power tools must not be used to assemble the frame.

**CONFIGURATION A:** See pages 3, 4, 5 and 8

Used for L shape table tops where the return depth is less than the main top, ie. the main top has 800 mm depth and the side return has only 600 mm depth.

Assemble the frame left or right handed accordingly so that the shallow foot is under the shallowest part of the tabel top.



**CONFIGURATION B:** See pages 3, 6, 7 and 8

Used for L shape table tops where the return depth is the same as the main top, ie. the main top has 800 mm depth and the side return has 800 mm depth.

Assemble the frame one way only so that the leg with the foot removed is always in the middle corner.



Manufacturer:

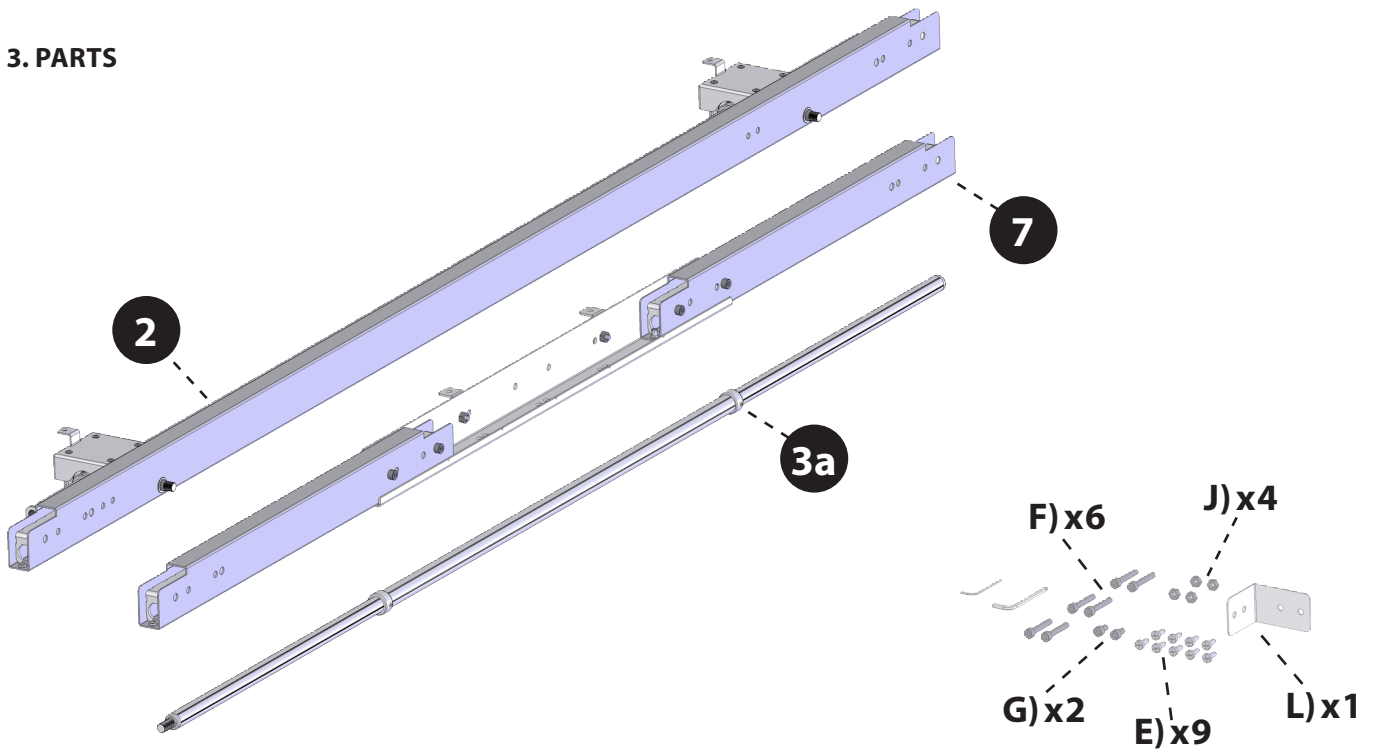
ConSet A/S  
Industrivej 23  
DK-6900 Skjern  
Denmark

Tel.: +45 9680 0080 | Fax: +45 9680 0081  
www.conset.com | conset@conset.com

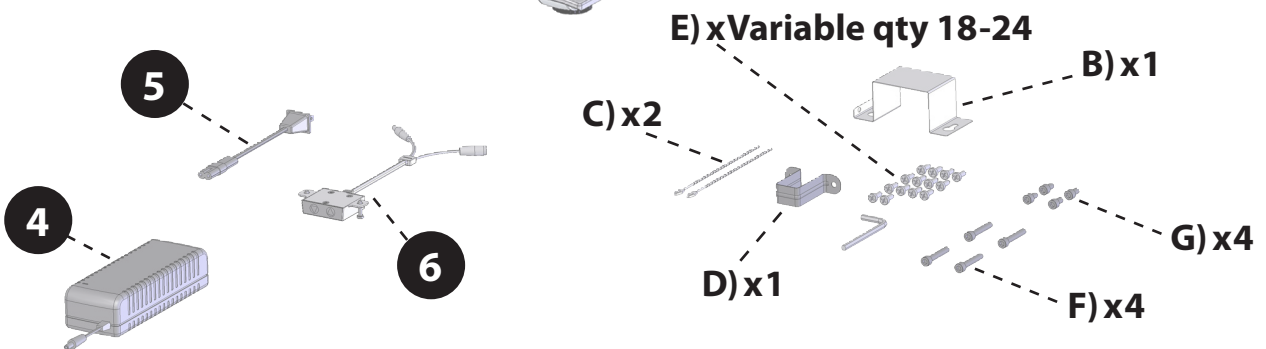
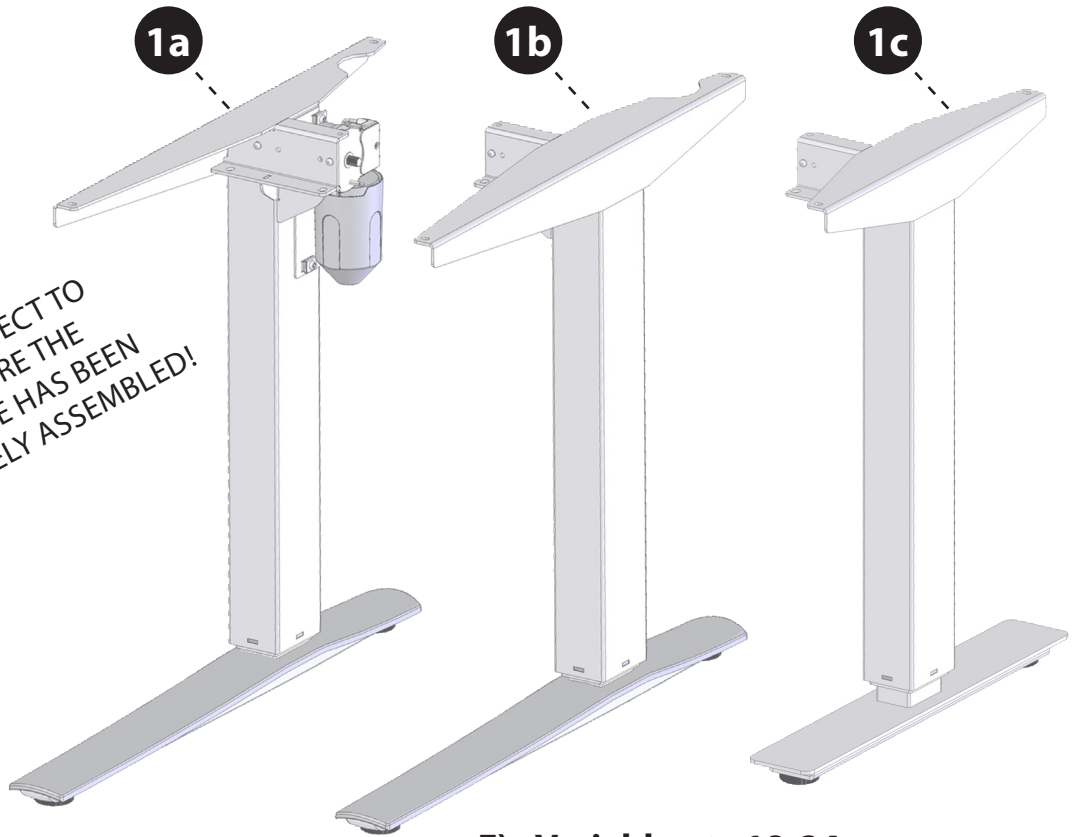


WARNING: FAILURE TO COMPLY WITH OR OBSERVE ALL ASSEMBLY, SAFETY AND OPERATION INSTRUCTIONS AND WARNINGS REGARDING THE USE OF THIS PRODUCT MAY RESULT IN SERIOUS BODILY INJURY.

**3. PARTS**



**DO NOT CONNECT TO POWER BEFORE THE DESK FRAME HAS BEEN COMPLETELY ASSEMBLED!**

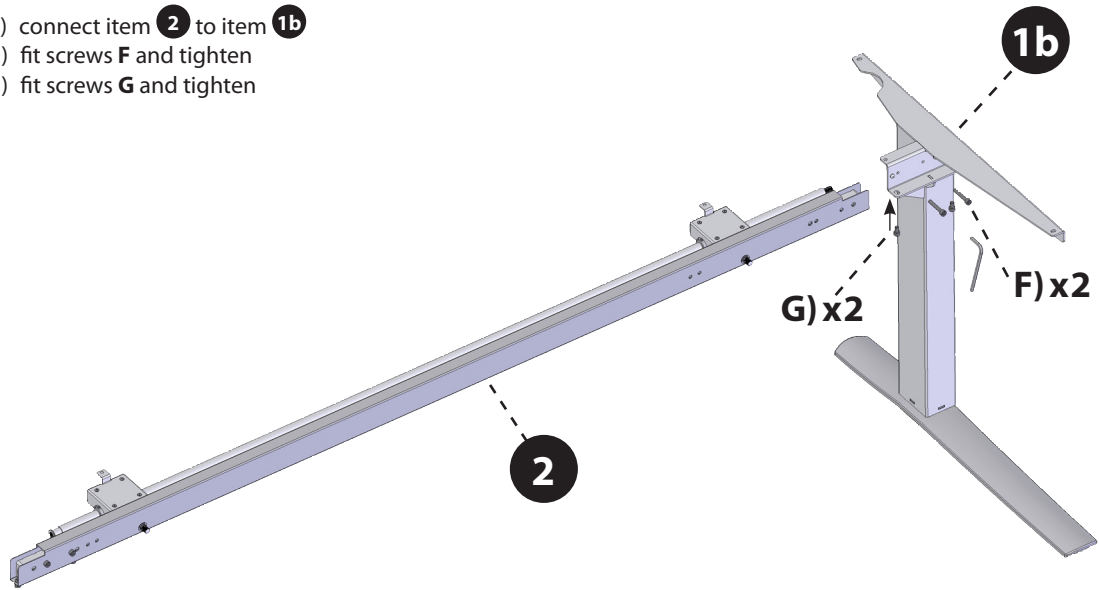


#### 4. ASSEMBLY INSTRUCTIONS – CONFIGURATION A

– shown assembly for right turned frame

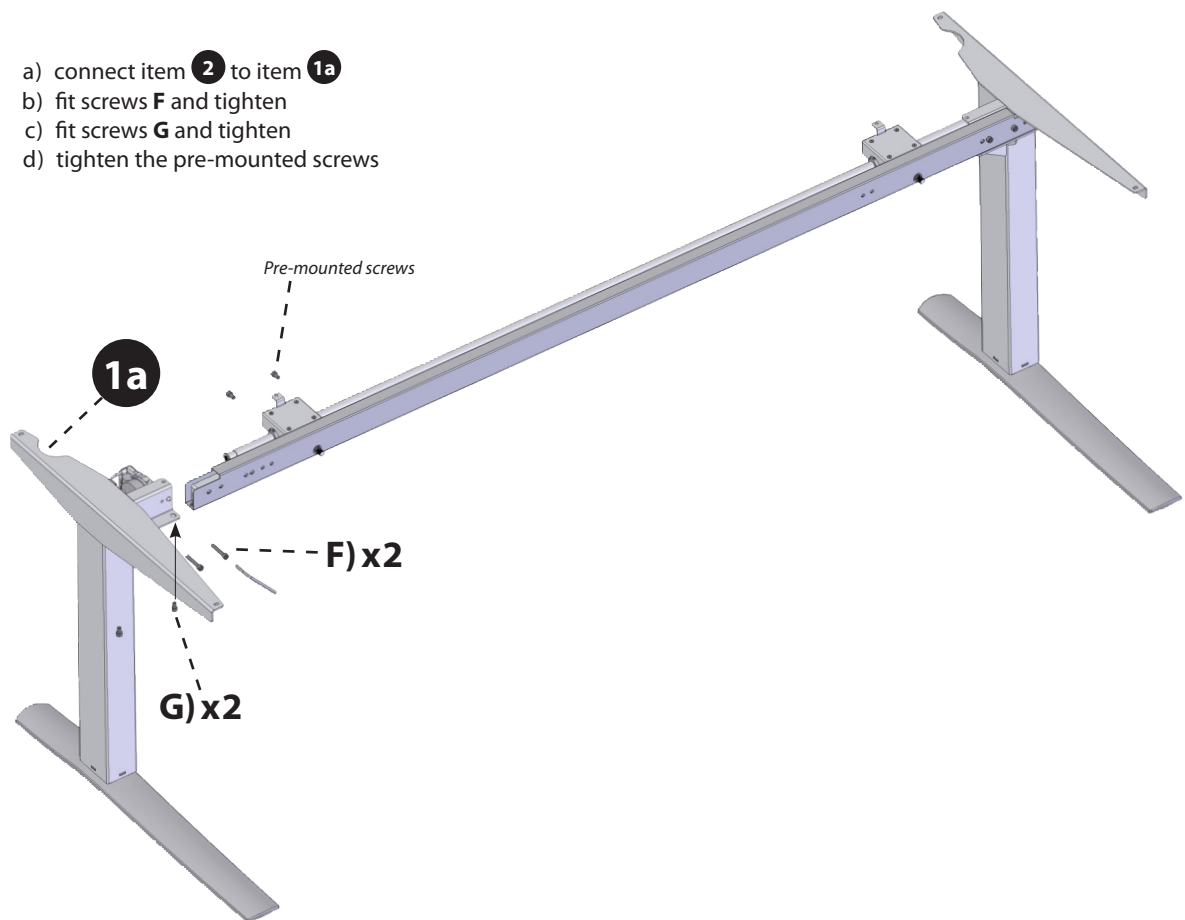
1.

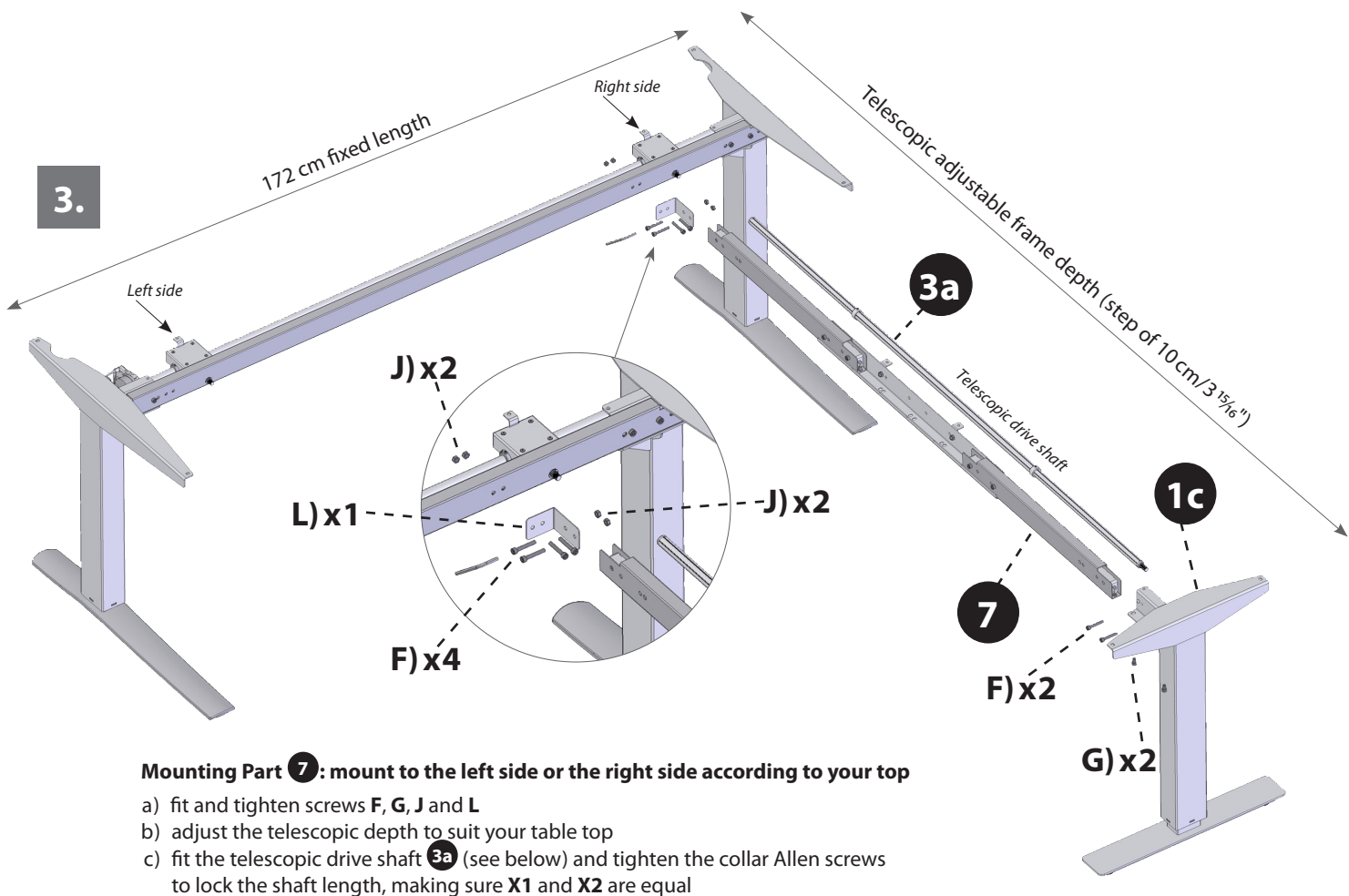
- a) connect item **2** to item **1b**
- b) fit screws **F** and tighten
- c) fit screws **G** and tighten



2.

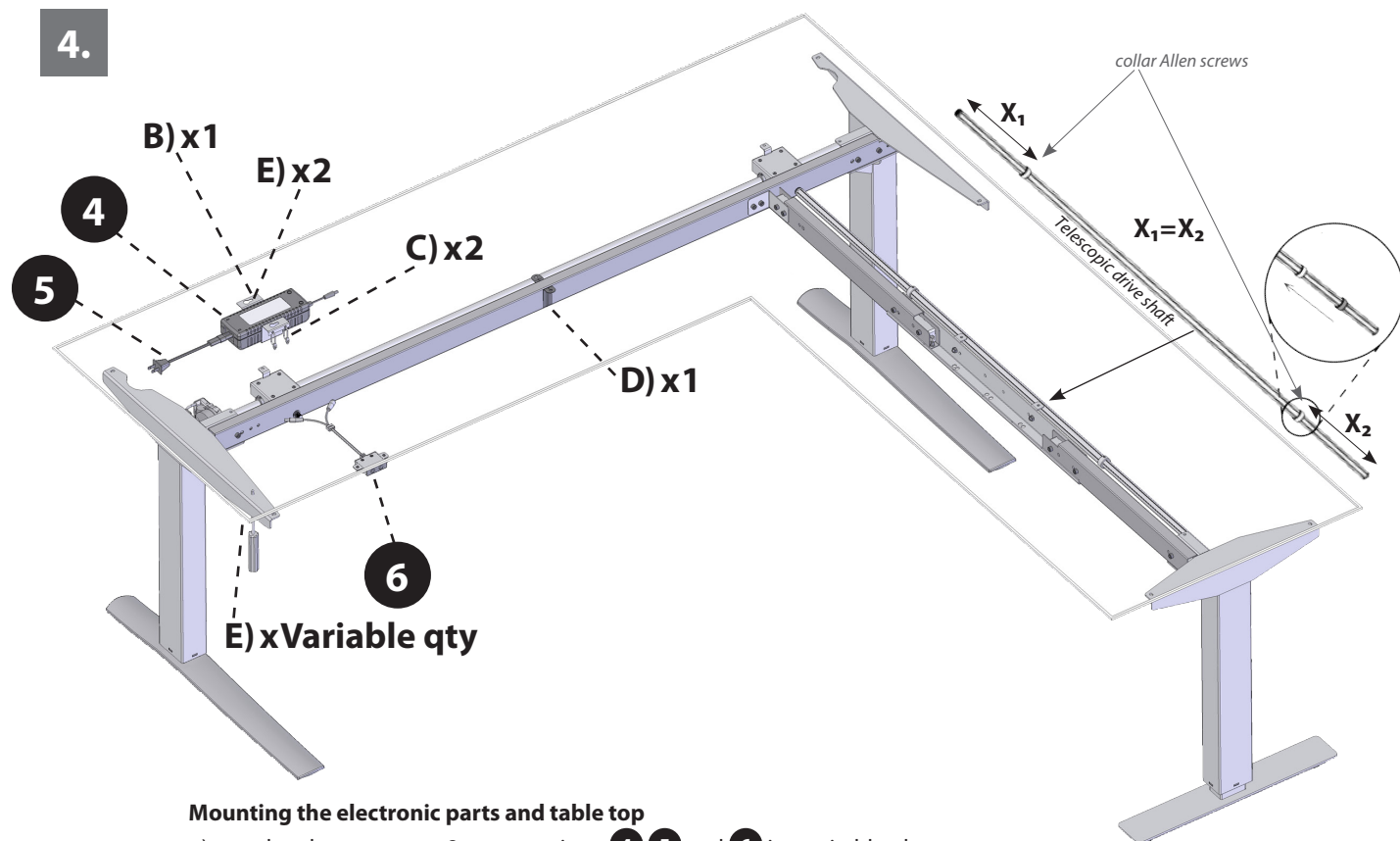
- a) connect item **2** to item **1a**
- b) fit screws **F** and tighten
- c) fit screws **G** and tighten
- d) tighten the pre-mounted screws





**Mounting Part 7:** mount to the left side or the right side according to your top

- fit and tighten screws **F**, **G**, **J** and **L**
- adjust the telescopic depth to suit your table top
- fit the telescopic drive shaft **3a** (see below) and tighten the collar Allen screws to lock the shaft length, making sure **X1** and **X2** are equal



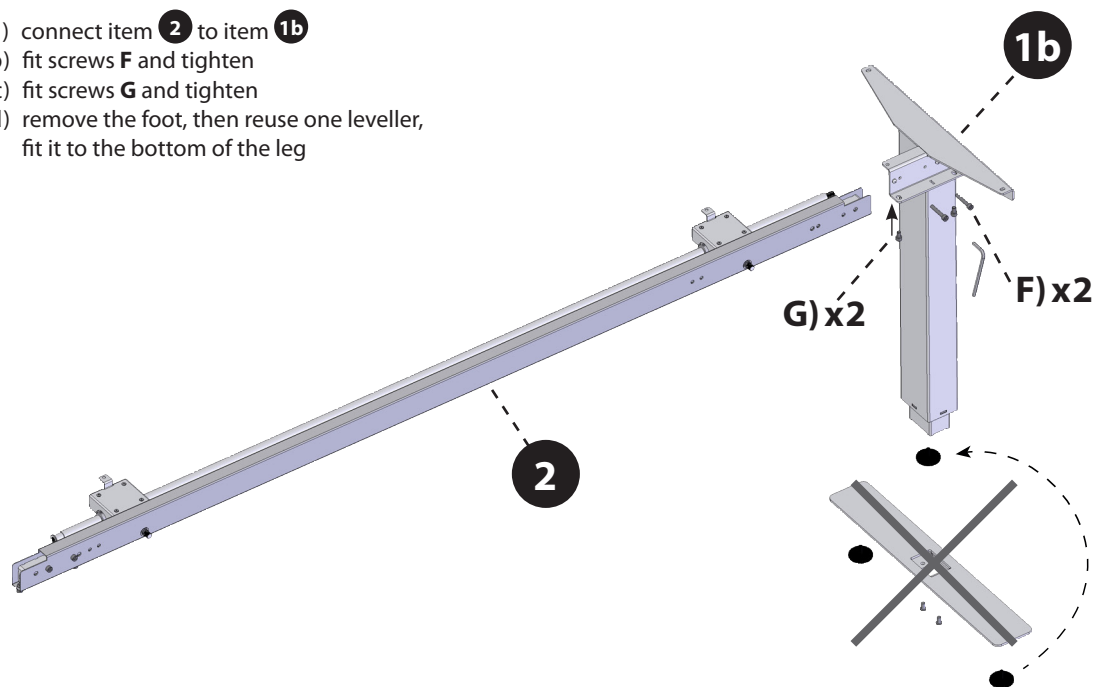
**Mounting the electronic parts and table top**

- see the photo on page 8 to mount item **4**, **5** and **6** in a suitable place
- with the frame in the upright position fit and tighten wood screws **E** to secure the table top, fit from underneath, the table top must be fitted with the frame fully down, like it comes out the box
- if the assembled desk has to be moved a few cm's into its final place you will need minimum 3 people to lift it holding the frame and to place it back down squarely

## 5. ASSEMBLY INSTRUCTIONS – CONFIGURATION B

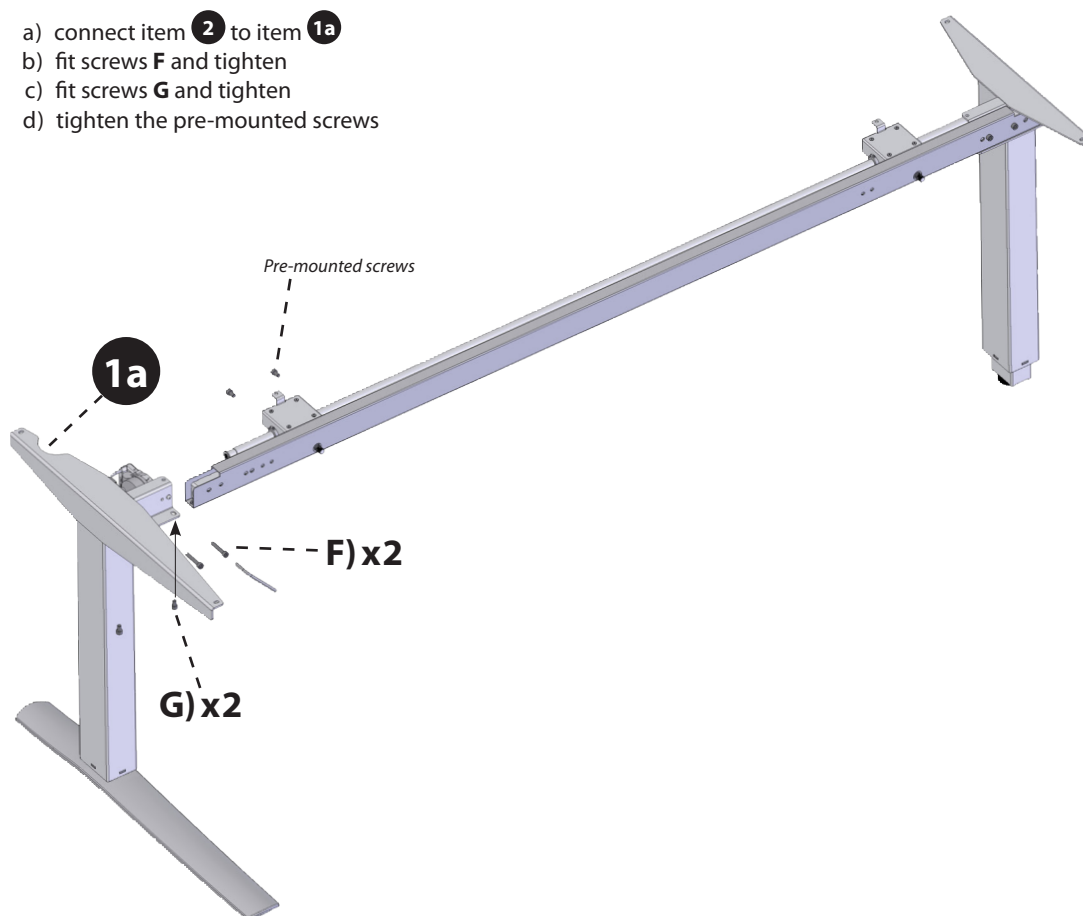
1.

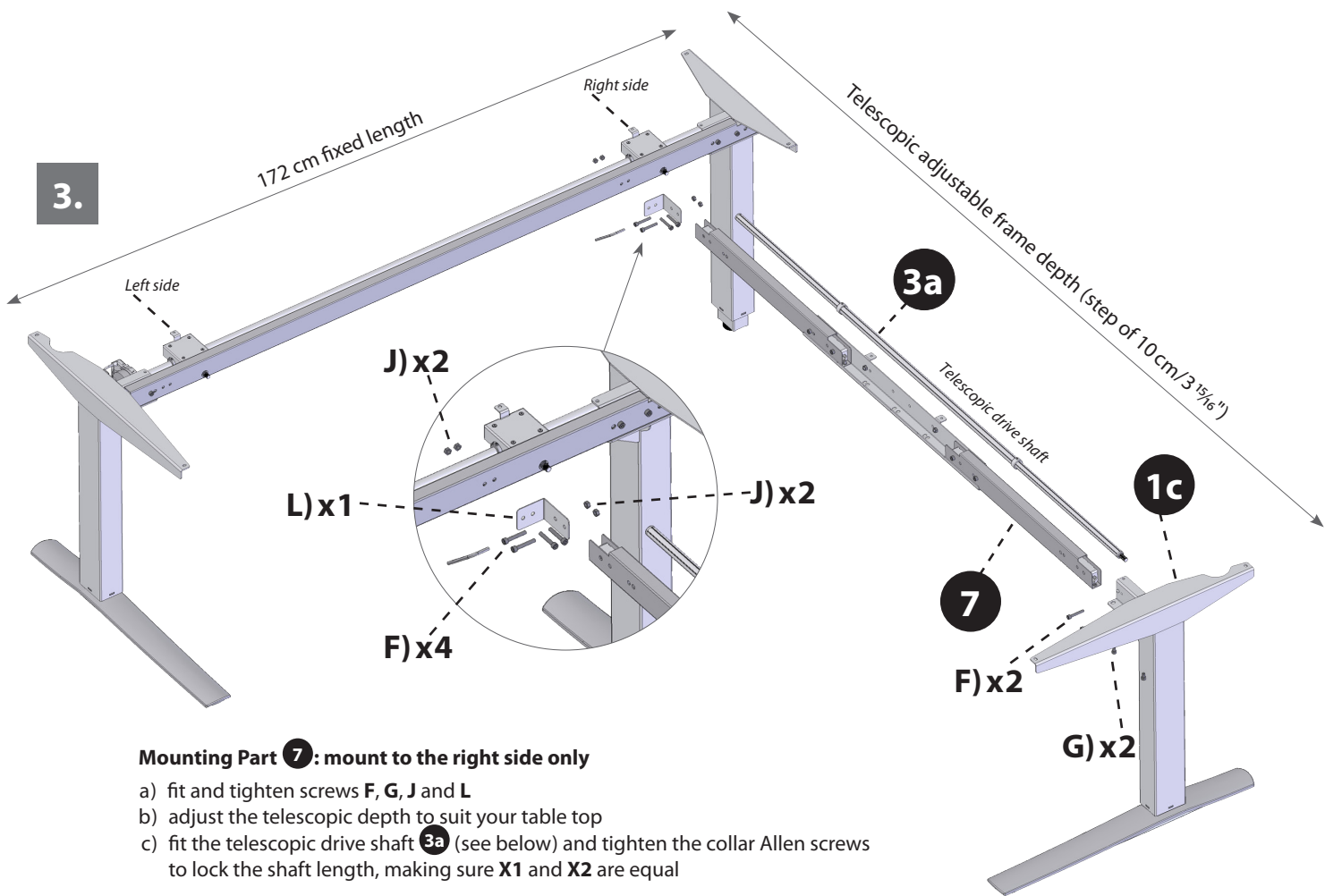
- connect item **2** to item **1b**
- fit screws **F** and tighten
- fit screws **G** and tighten
- remove the foot, then reuse one leveller, fit it to the bottom of the leg



2.

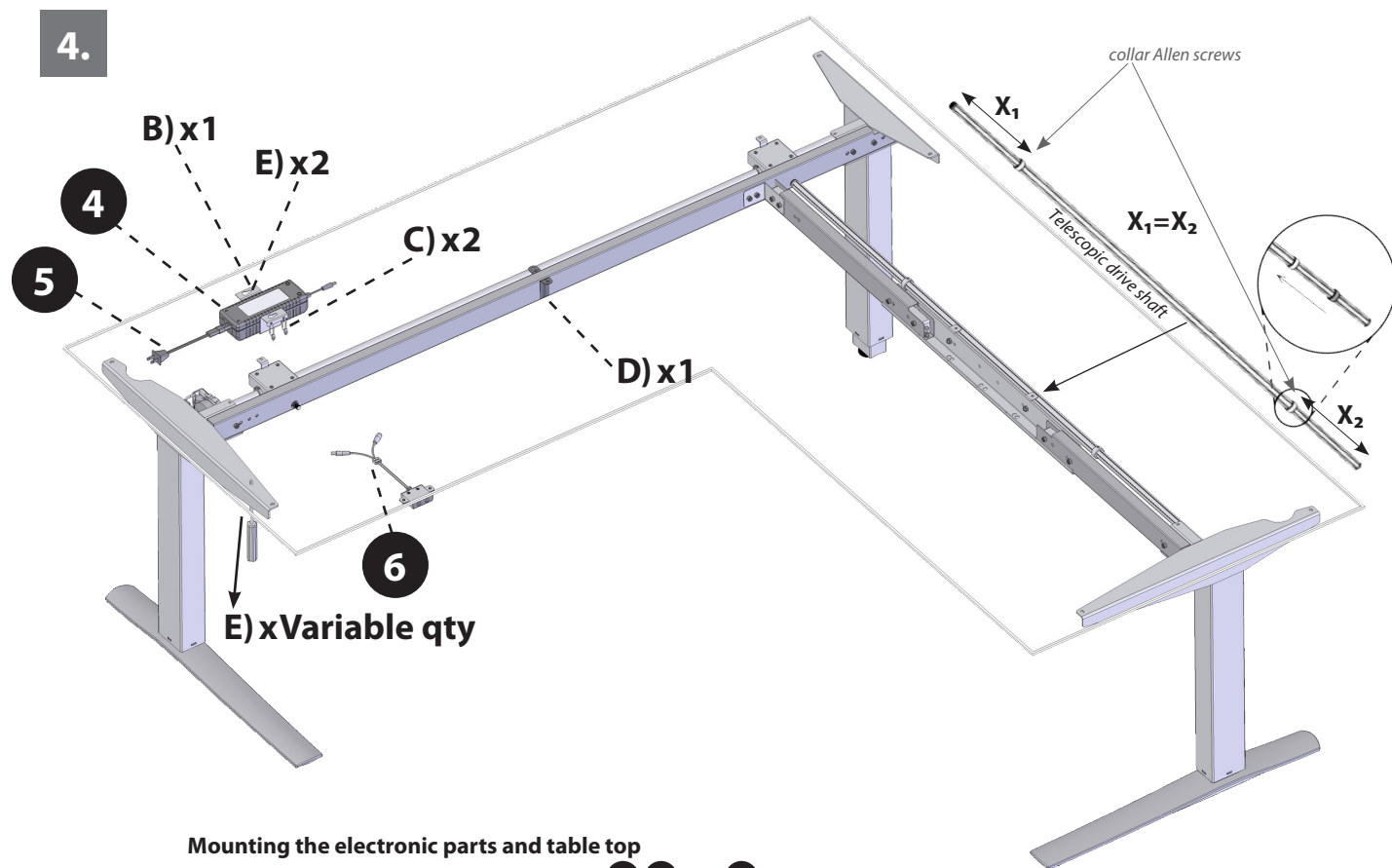
- connect item **2** to item **1a**
- fit screws **F** and tighten
- fit screws **G** and tighten
- tighten the pre-mounted screws





**Mounting Part 7: mount to the right side only**

- fit and tighten screws **F, G, J** and **L**
- adjust the telescopic depth to suit your table top
- fit the telescopic drive shaft **3a** (see below) and tighten the collar Allen screws to lock the shaft length, making sure **X1** and **X2** are equal

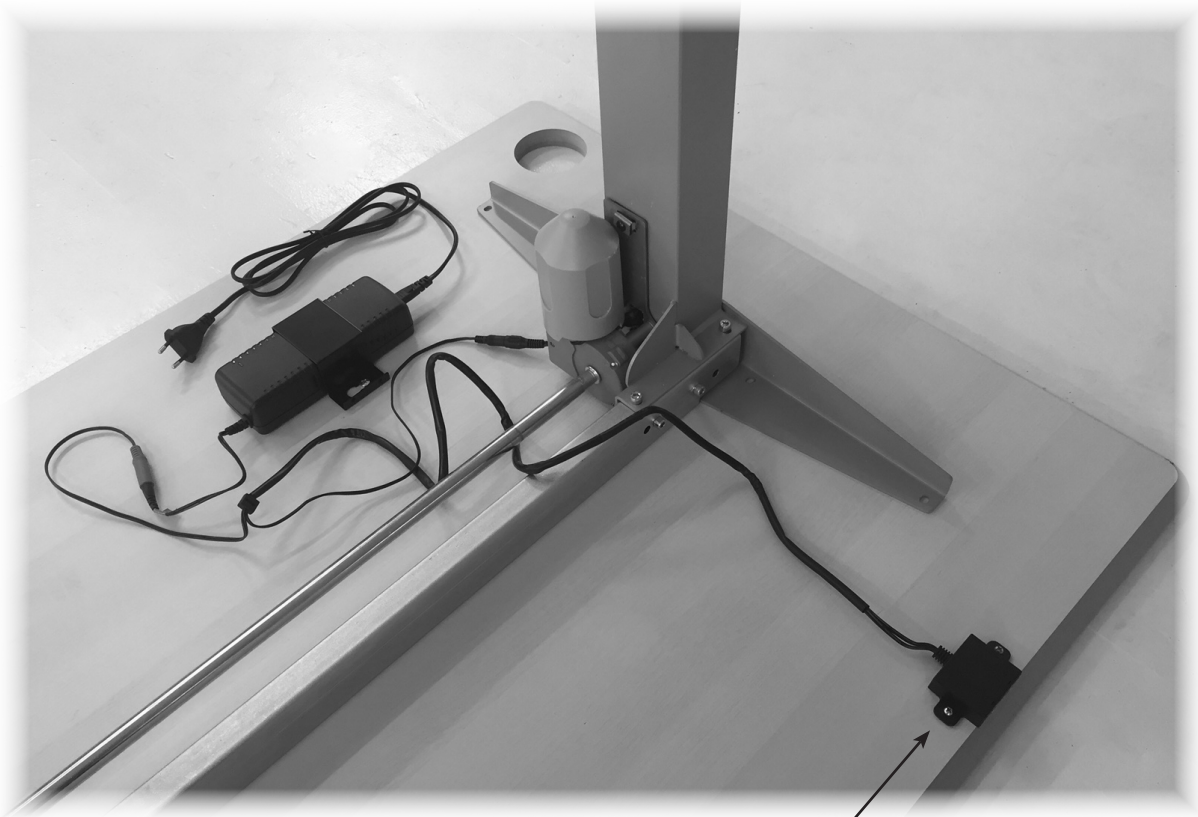


**Mounting the electronic parts and table top**

- see the photo on page 8 to mount item **4**, **5** and **6** in a suitable place
- with the frame in the upright position fit and tighten wood screws **E** to secure the table top, fit from underneath, the table top must be fitted with the frame fully down, like it comes out the box
- if the assembled desk has to be moved a few cm's into its final place you will need minimum 3 people to lift it holding the frame and to place it back down squarely



5.



**DO NOT OVER TIGHTEN THE SCREWS  
SINCE THIS MAY HARM THE FUNCTION OF THE CONTROL**

6.

