



EN

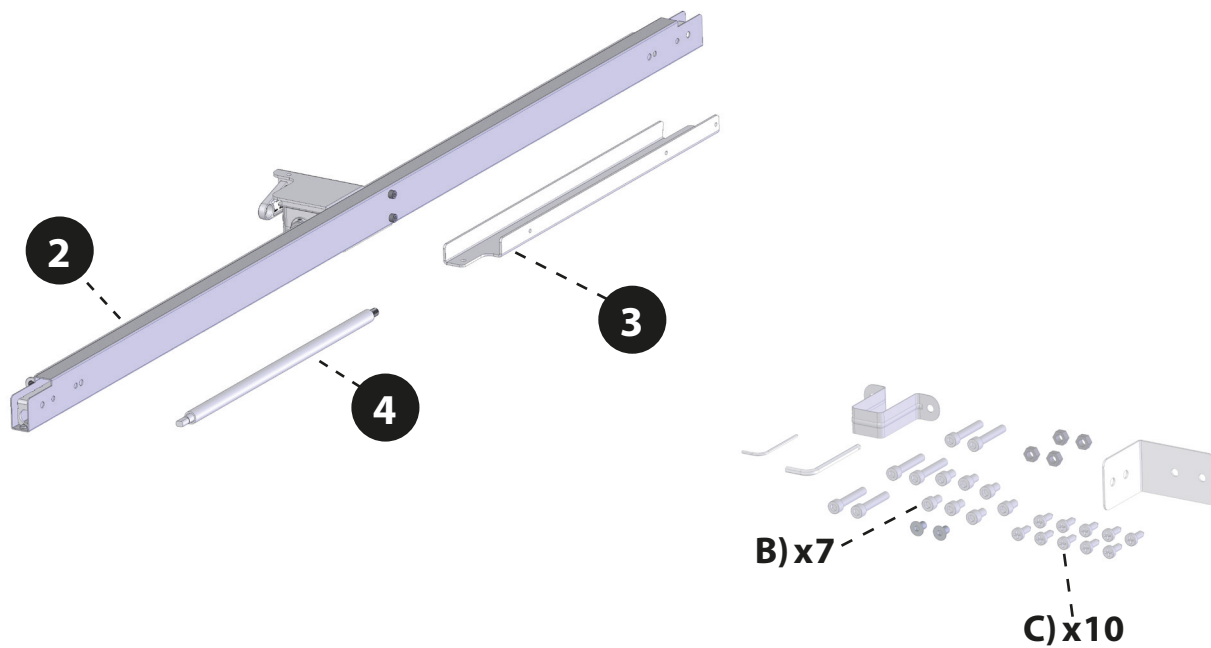
Assembly instruction

SQ147760 - SQ147690

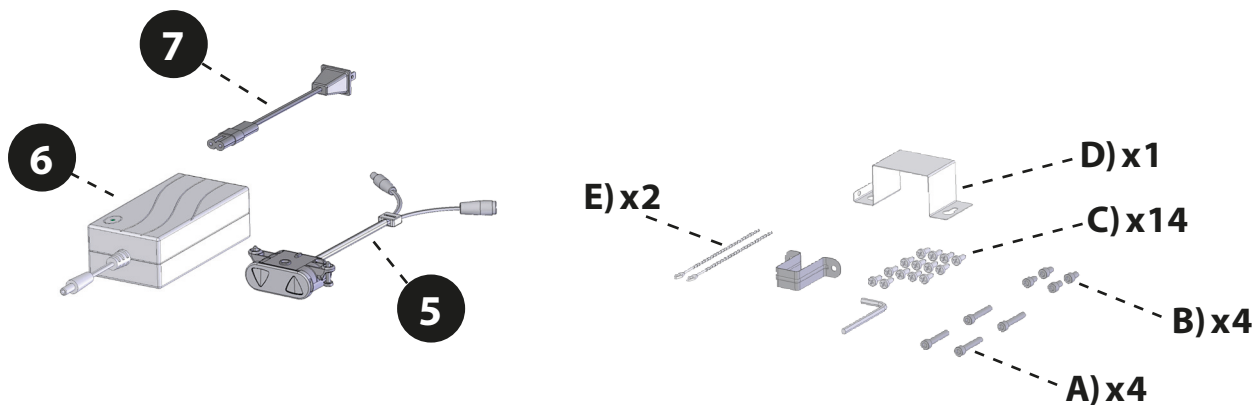
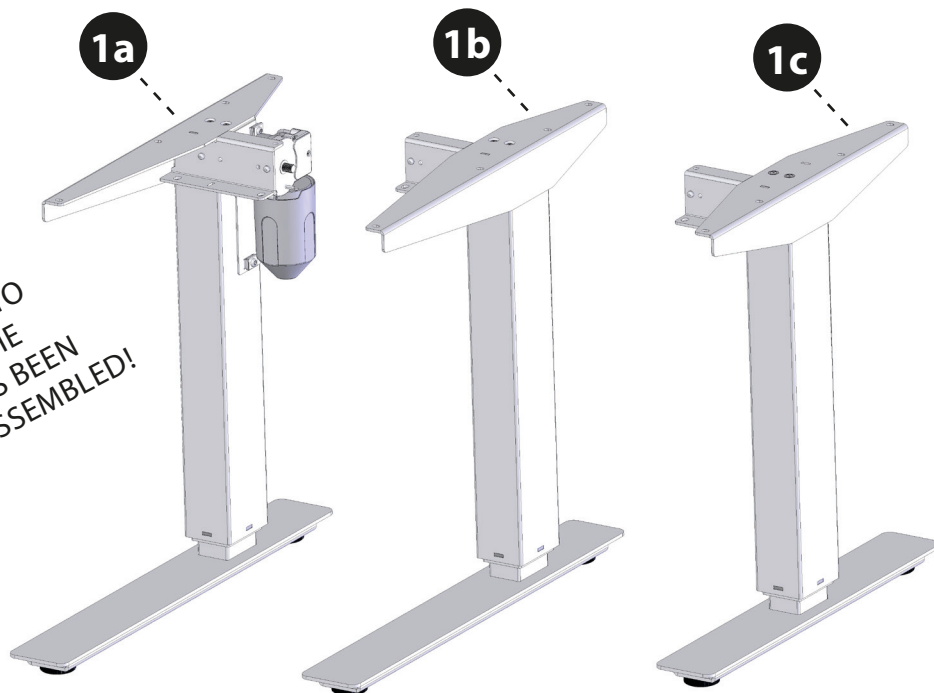
This instruction is a supplement to chapter 7 and 8 in the instruction, which is packed together with the legset



7. PARTS



DO NOT CONNECT TO
POWER BEFORE THE
DESK FRAME HAS BEEN
COMPLETELY ASSEMBLED!

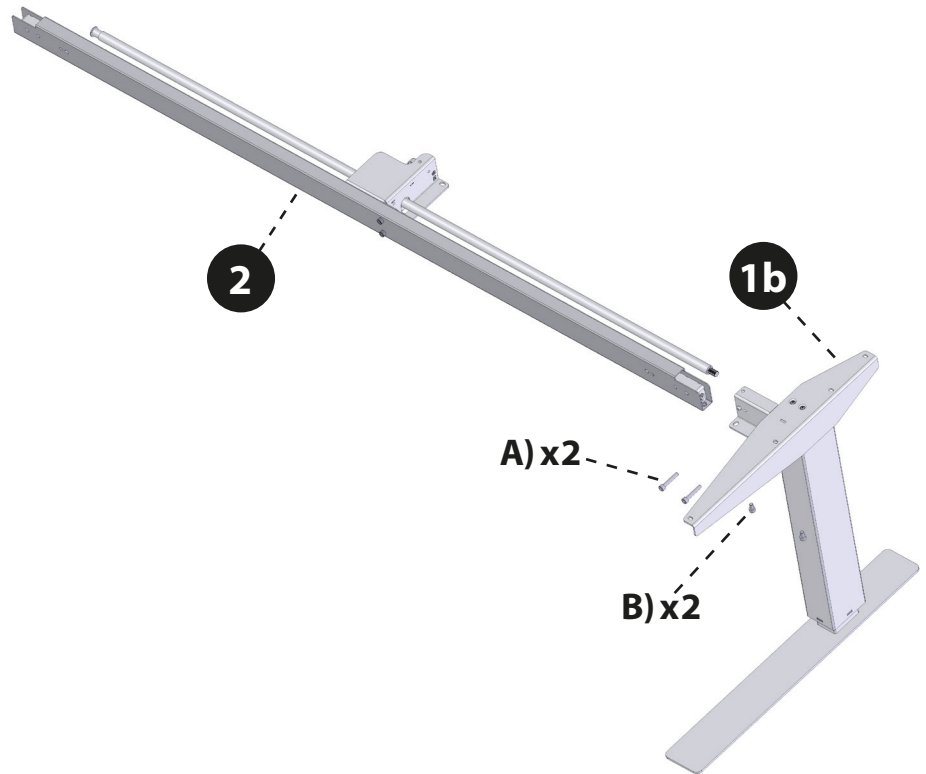


Not all screws and brackets in the mounting bags are meant to be used for this desk configuration.

8. ASSEMBLY INSTRUCTIONS

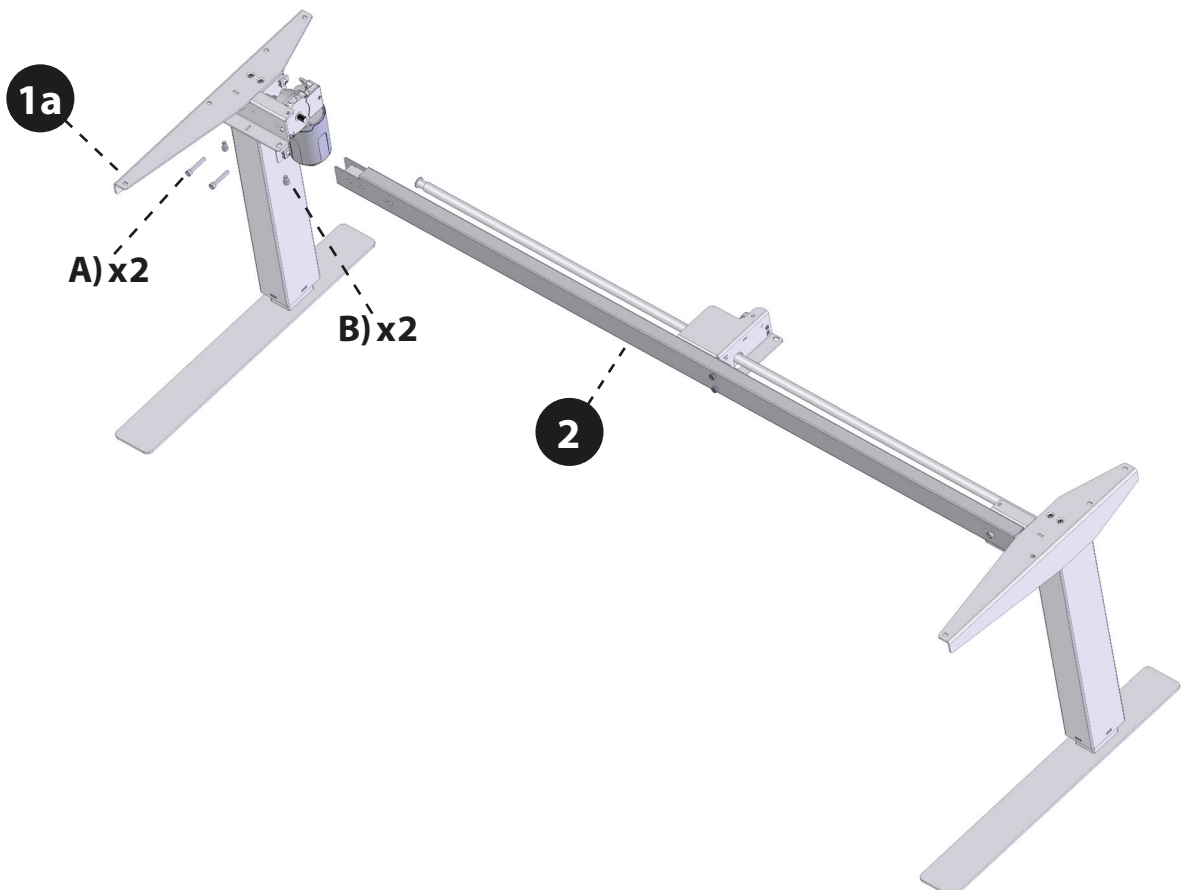
1.

- connect item **2** to item **1b**
- fit screws **A** and tighten
- fit screws **B** and tighten



2.

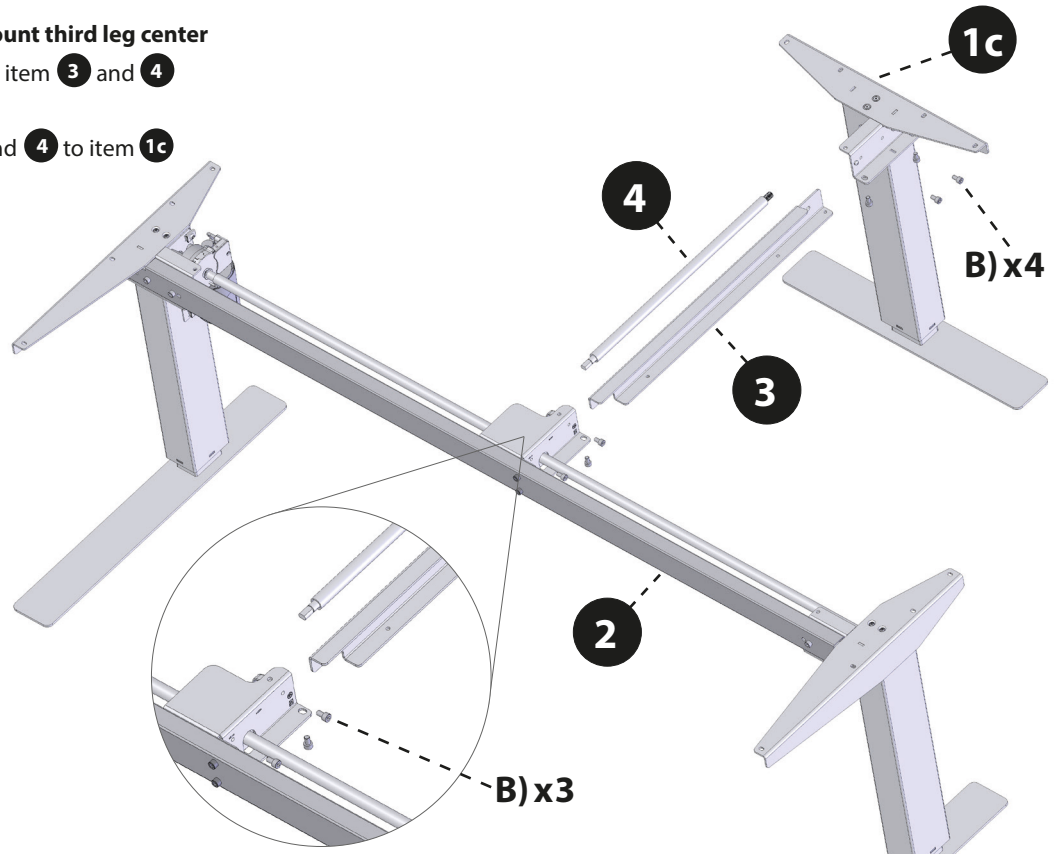
- connect item **2** to item **1a**
- fit screws **A** and tighten
- fit screws **B** and tighten



3.

Mounting Part 1c: mount third leg center

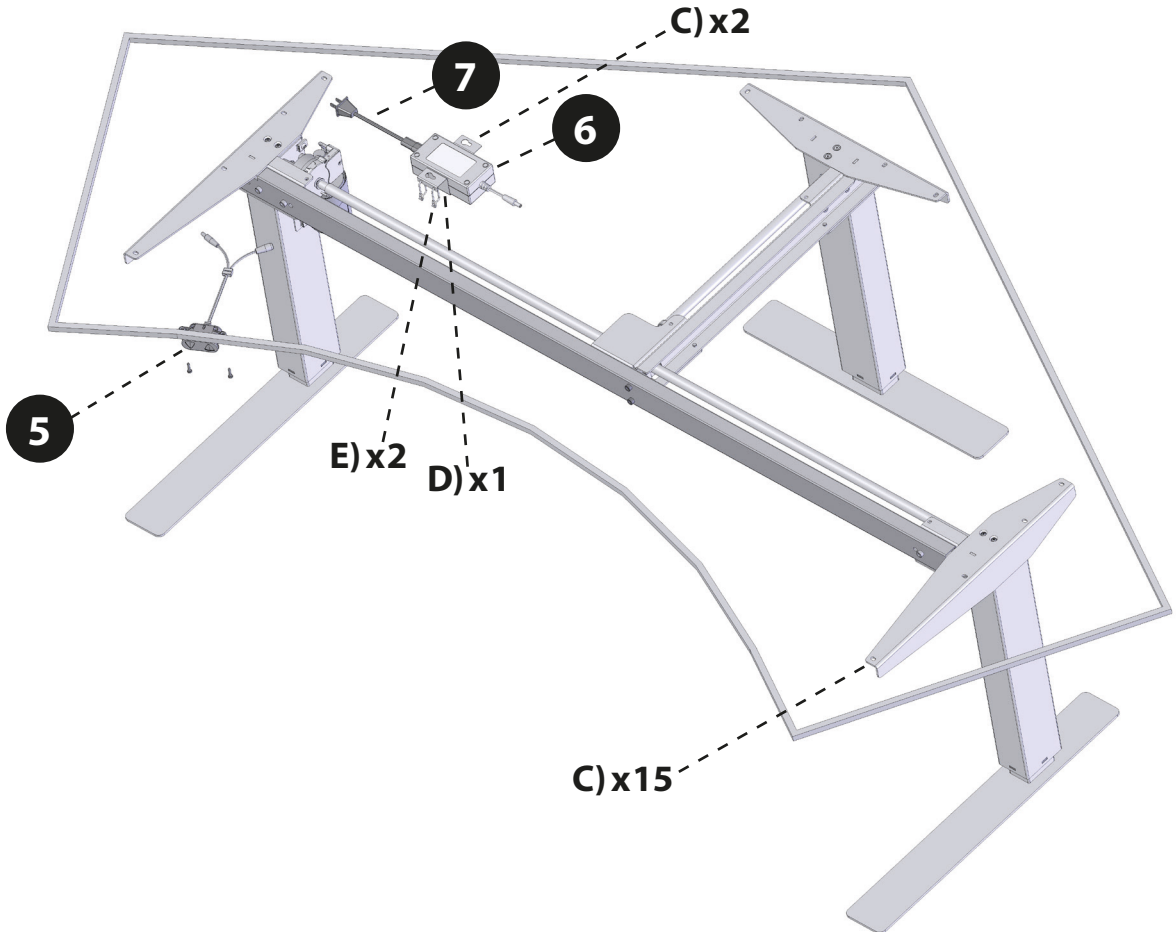
- a) connect item 2 to item 3 and 4
- b) fit screws B
- c) connect item 3 and 4 to item 1c
- d) fit screws B



4.

Mounting the electronic parts and table top

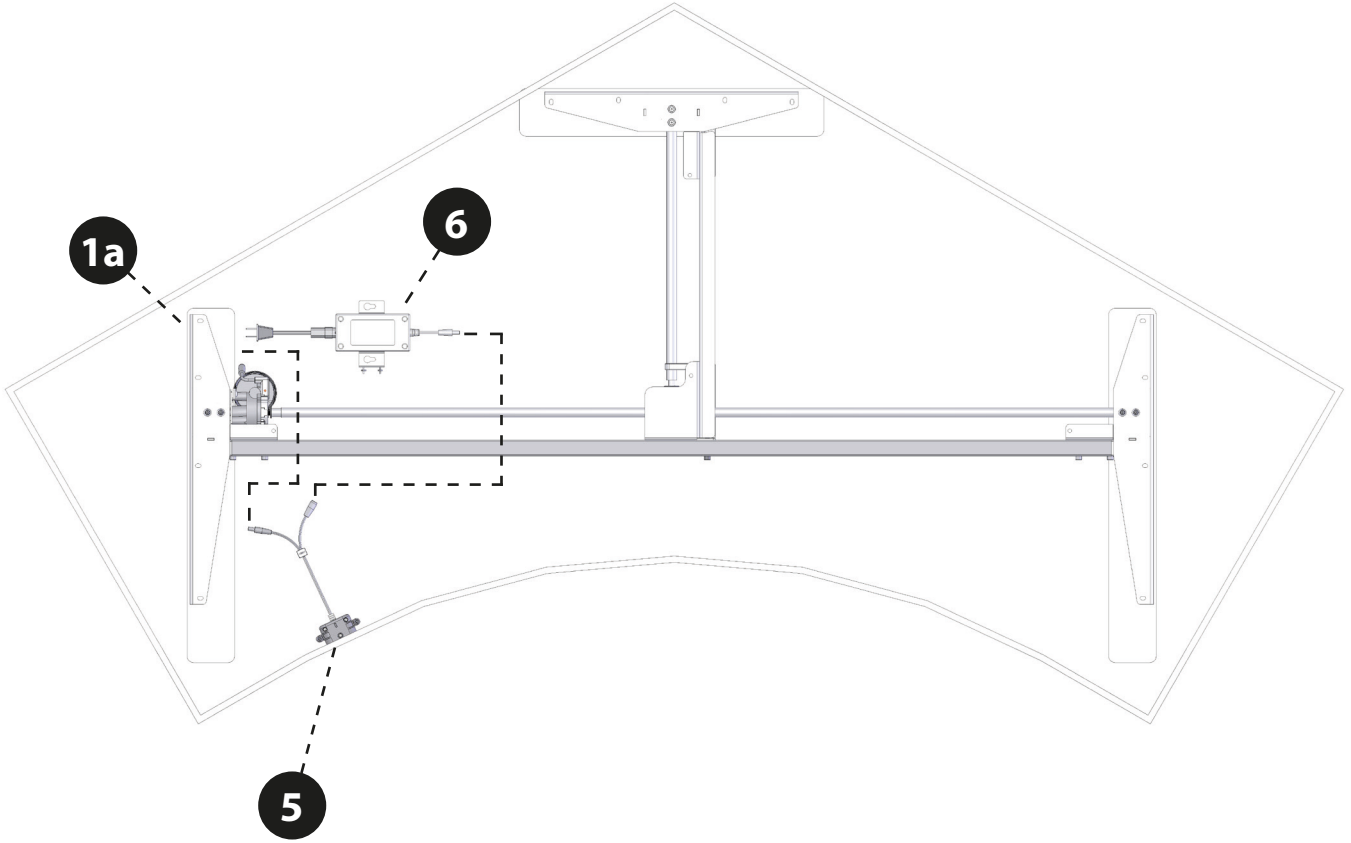
- a) see the sketch on page 5 to mount item 5 6 and D in a suitable place
- b) with the frame in the upright position fit and tighten wood screws C to secure the table top, fit from underneath, the table top must be fitted with the frame fully down, like it comes out the box
- c) if the assembled desk has to be moved a few centimeters into it's final place you will need minimum 2 people to lift it holding the frame and to place it back down squarely



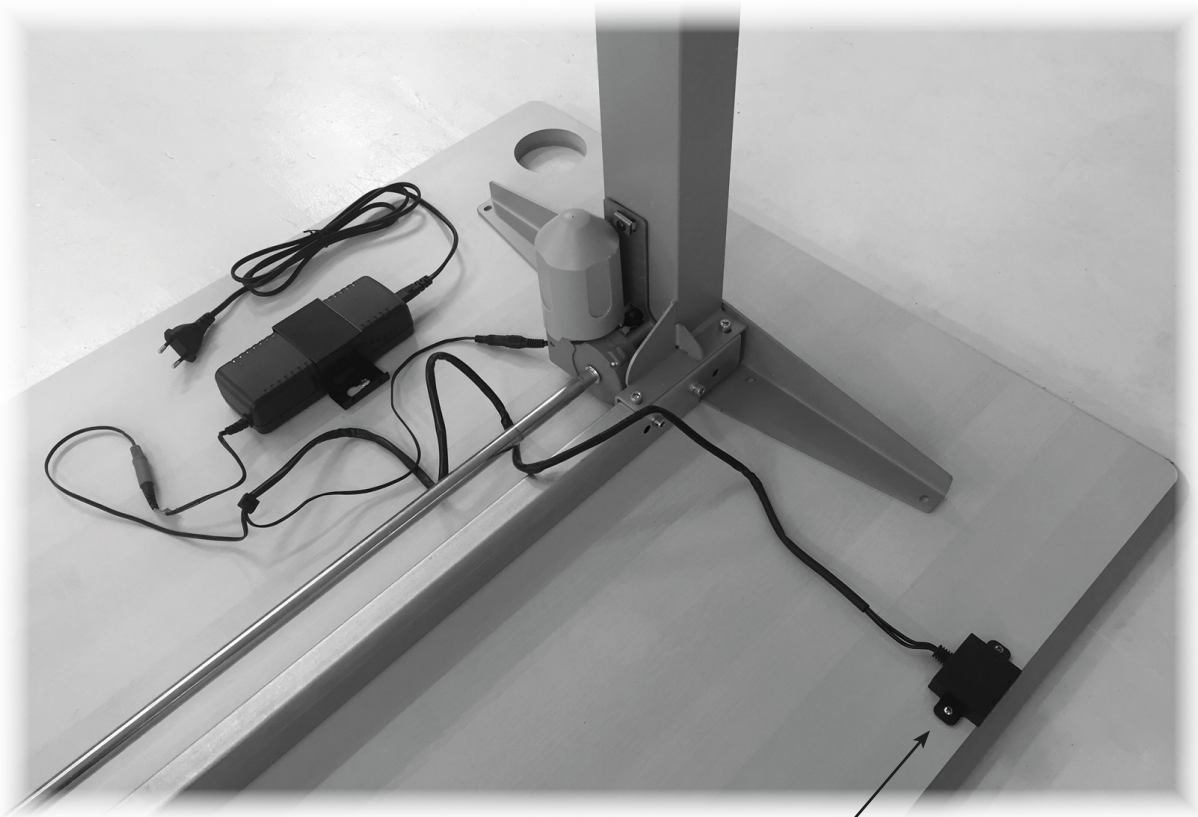
5.

Wiring

- a) connect item **1a** to item **5**
- b) connect item **6** to item **5**



6.



DO NOT OVER TIGHTEN THE SCREWS
SINCE THIS MAY HARM THE FUNCTION
OF THE CONTROL

7.

